

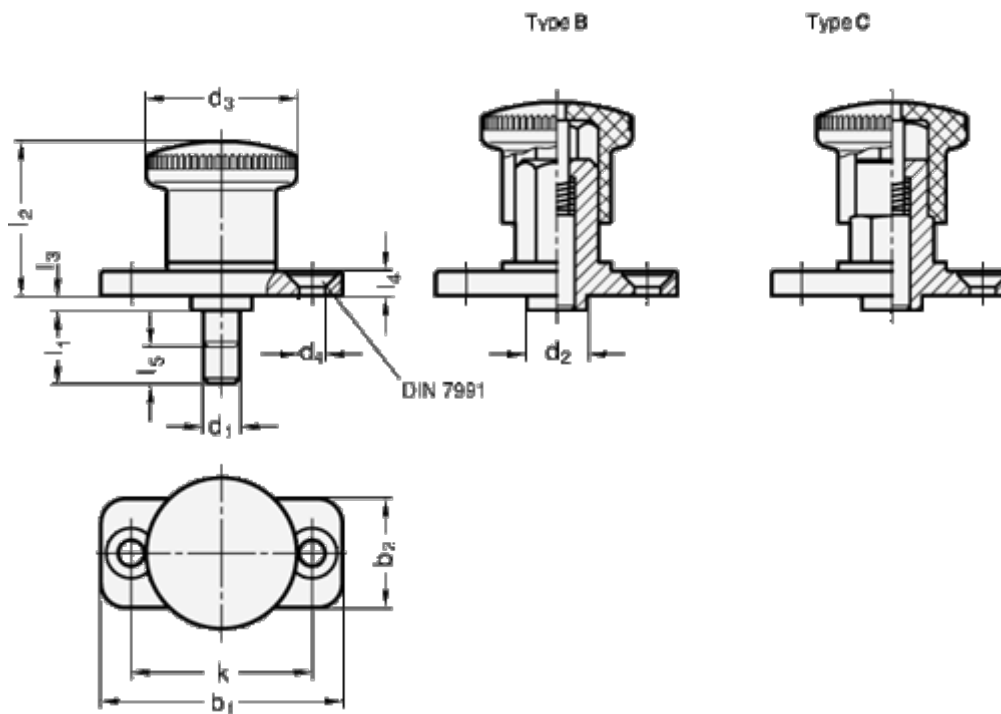
Data Sheet



Article number: 20822845B

Description: E+G Mini indexing plunger
without rest position, GN 822.6-4-5-B

Measures



b1 = 35	l2	= 21
b2 = 15	l3	= 2.0
d1 = 4	l4	= 4
d2 = 8	l5	= 5
d3 = 21	Spring load initial N	= 4
d4 = 4.3		
k = 25		
l1 = 27.5		